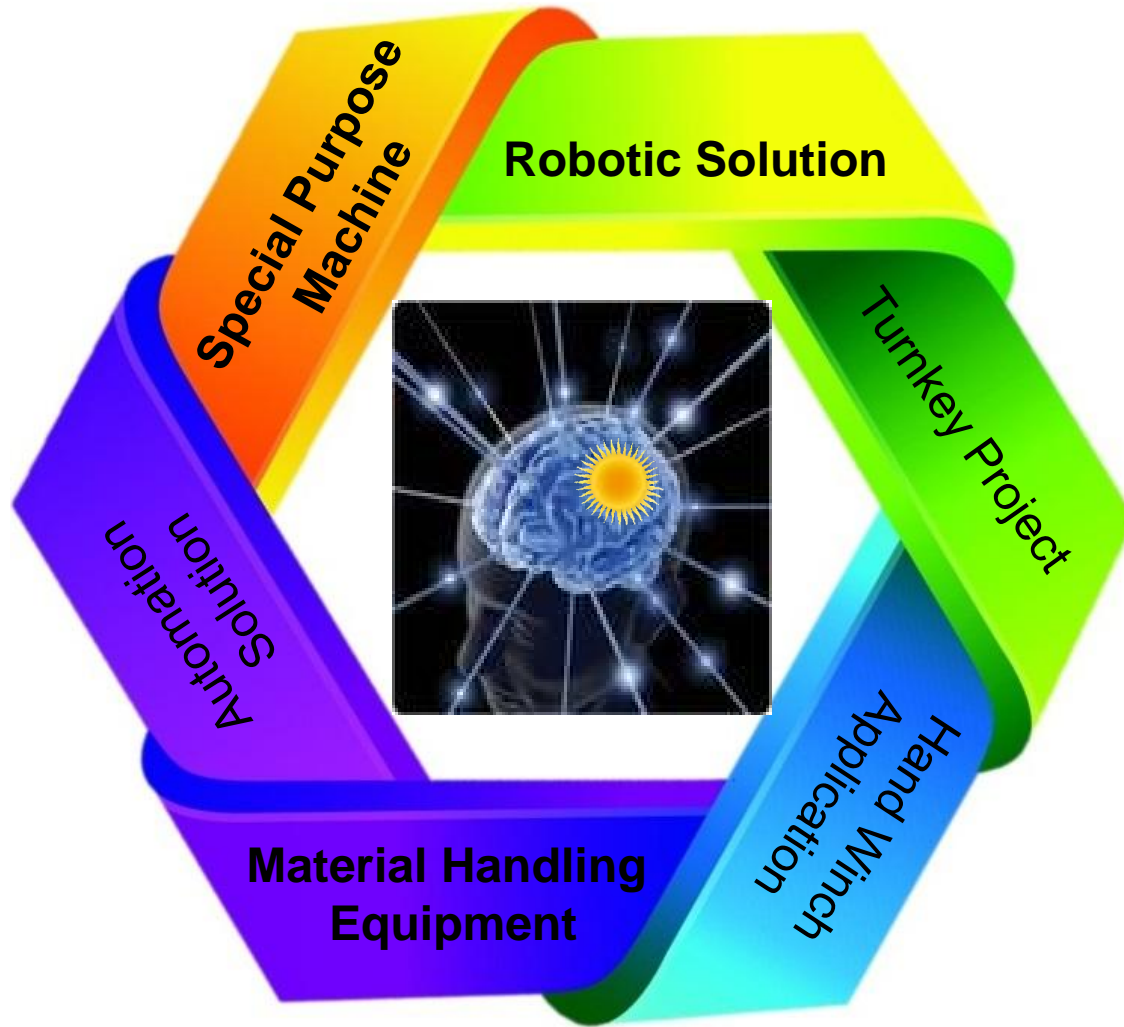


# NIKKA Engineering & Technology Division



## NIKKA --- One Step Ahead



- “Nikka” as a Engineering & Technology Division we provide complete solutions for
- 1) Concept Development through sketch/CAD
  - 2) Design & Engineering
  - 3) Developing 3D Drawings
  - 4) Manufacturing Handling Equipment, Special Purpose Machine & Robotic Solutions



### Authorized Representative for Vadodara & Gujarat

- \*\* SIEMENS --- AUTOMATION & DRIVES
- \*\* SIEMENS --- FIELD INSTRUMENTATION
- \*\* YASKAWA--- ROBOTICS APPLICATION
- \*\* BANNER --- SENSORS
- \*\* HBC --- RADIO REMOTE CONTROL
- \*\* LAPP --- CABLES

## “NIKKA --- Experience and Contribution



OUR ACTIVITIES : We are an engineering company involved in Designing & Manufacturing- Equipment, Machinery, Providing Complete solutions with single responsibility.

- \*\*\* Manufacturing Special Purpose Machineries
- \*\*\* Manufacturing Material Handling Equipment.
- \*\*\* Manufacturing Robotics Applications
- \*\*\* Providing Automation Solutions and Manufacturing All types of control Panels.
- \*\*\* Providing solutions in Field Instrumentation
- \*\*\* Providing Turnkey Projects Solutions

### OUR EXPERIENCE IN DEVELOPING & MANUFACTURING:

- \*\*\* Positioners, Turntable, converting CNC Lathe machines, 1,2,3-axis Positioner & controls Manufacturing Fixtures for automobile and ancillary handling systems. Provide solution as per customer requirement
- \*\*\* Manufacturing Conveyors, Ware-House System for Pick & Place & Loading and Unloading systems
- \*\*\* Providing Robotics solutions in applications like Handling, Welding, Machine Tending, Pick and Place, Packaging and Palletizing, Grinding & Polishing, also as per customer Application/requirement.
- \*\*\* Providing Automation Solutions in process industries, dairy industries, pharma equipment, Machine Manufacturers.
- \*\*\* Providing Solutions for field instrumentation in industries like process industries, dairy industries, pharma equipment, Machine Manufacturers.

## Manufacturing Material Handling Equipments

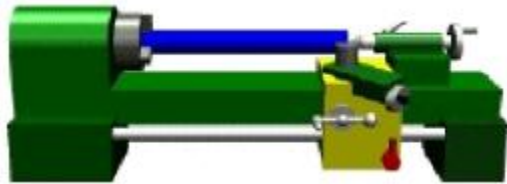


We manufacture :

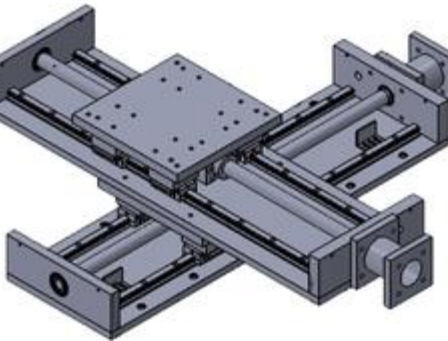
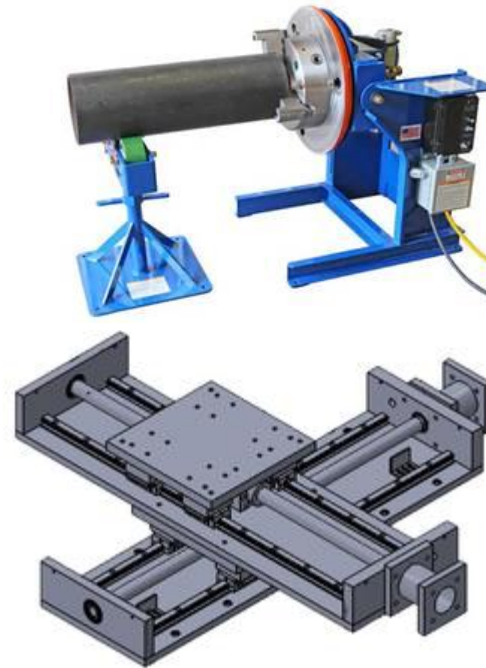
- 1) Weighing & Batching Systems
- 2) Mixing & Metering systems – 2C, 3C, components
- 3) Sigma Mixer
- 4) Conveyors : Belt, Screw, Chain, Roller, Telescopic, Slat
- 5) Vibrators
- 6) Handling of Box, Bagging and palletizing
- 7) Mobile Motorized Storage Racks
- 8) Lift for Industrial goods and Residential Applications



## Manufacturing Special Purpose Machine



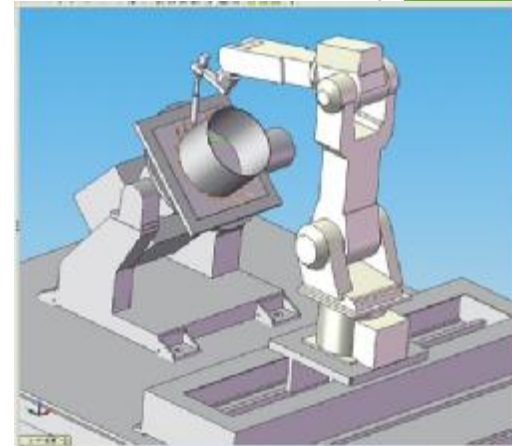
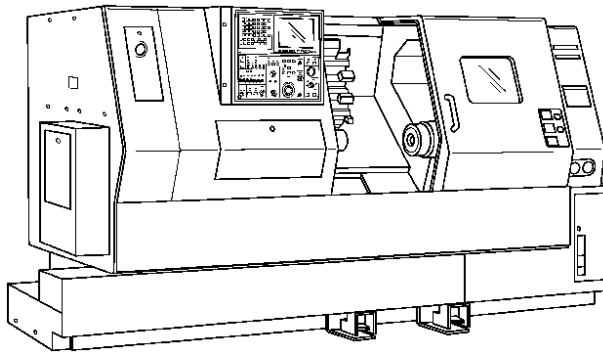
- 1) Indexing and Turn Table
- 2) Positioners – 1, 2, 3 – axis controls
- 3) Pneumatic –Pick & Place
- 4) Hydraulic Systems
- 5) SPM for welding
- 6) Gripper and Fixtures for welding, pick and place or Loading and un-Loading systems.
- 7) Converting CNC LATHE machines



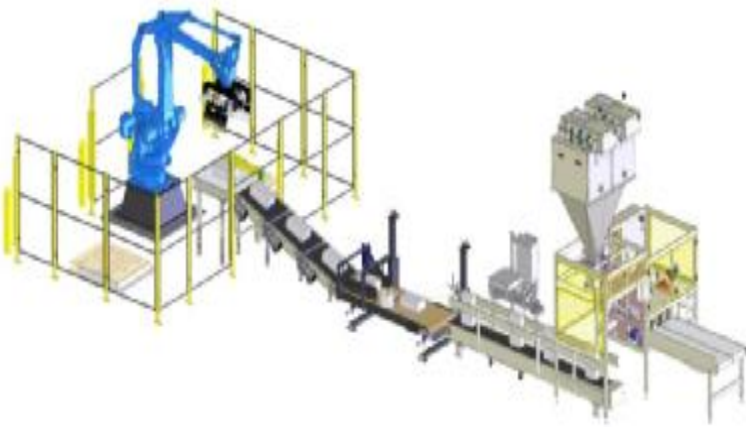
## Turnkey Projects In Robotic Applications



- 1) Pick and Place for Box, Bagging & Palletizing
- 2) Packaging & Palletizing line
- 3) Machine Trending
- 4) Dispensing, Painting, Spraying & Coating
- 5) Welding
- 6) Grinding, Deburring & Polishing



Welding with turning mechanism with MA 1440



Turnkey Project with bag placer, robot palletizing with MPL165 KG



Robot with Kinetic Teaching for Limpad welding MA1440

# Manufacturing Hand Winch Application



STAINLESS STEEL



STRAKER



CAPSTAN TYPE



Telescopic Lifter



Endless Wire Rope



STEEL



Mobile Lifter

## At Nikka : Single Solution for Mechatronics, Automation and Panel



Single solution for all Types of Panels – MCC, PCC & SCADA , PLC & Drive Control System for Various Industries, Machinery, Equipment, Plants , Pharma & Dairy Industries.







## R&D & Customized Developing



- 1) Pilot Projects
- 2) R&D
- 3) Trials in Robotic Application
- 4) Our Participation
- 5) » Exhibition  
» Seminar  
» Training