

# An Integrated solution provider of Industrial Automation

## End of Packaging & Palletizing Line

- Conveyors : Belt, Roller, Chain, Clit...more
- Robotics Bin Pick & Place
- Cartesian Robotics Pick and Place
- Inspection, QC, Defects, Metal Detection
- Box, Bag, Bottles, Job/Component/Article Handling
- Online Printing, Labeling, Online Check Weighing
- Turnkey Solution with Single Responsibility

AUTOMOBILE  
INDUSTRIES

AUTOMATION  
SOLUTION

ROBOTICS  
SOLUTION

MFG.  
PRECISION  
MACHINES

Food &  
Beverages  
Industries

Robotic  
Painting  
&  
Welding

PHARMA &  
DAIRY  
INDUSTRIES

SPECIAL  
PURPOSE  
MACHINE

MHE  
Industries



**Nikka Robotics Solution & Technology**

E-mail : [dhaval@nikkainc.com](mailto:dhaval@nikkainc.com)

Mobile : 9825323604



## A Group of Company”

### **NIKKA INCOPRORATED** **Authorized Representative**

- \*\* SIEMENS --- FIELD INSTRUMENTATION
- \*\* TURNKEY PROJECTS

### **NIKKA INSTRUMENTATION PVT. LTD.** **SYSTEM HOUSE & Authorized Representative**

- \*\* SIEMENS --- AUTOMATION, SERVO & DRIVES, CNC
- \*\* NIKKA --- MANUFACTURING ALL TYPES OF PANELS
- \*\* BANNER --- SENSORS
- \*\* HBC --- RADIO REMOTE CONTROL
- \*\* LAPP --- CABLES(Vadodara)

### **NIKKA ROBOTICS SOLUTION AND TECHNOLOGY** **System Integrator**

- \*\* YASKAWA --- ROBOTICS SOLUTION (Channel Partner)
- \*\* NIKKA – MANUFACTURING PRECISION MACHINE
- \*\* MAXPULL - HAND WINCH (INDIA DISTRIBUTOR)
- \*\* SOLOMON-2D/3D VISION CAMERAS
- \*\* Festo & SMC Pneumatic System
- \*\* BLM Group for Tube, Wire Bending & Laser Cutting



“Nikka” work as System Integrator & Engineering Company

Our Scope of Work :

- 1) Concept Development through sketch / engineering drawing
- 2) Design & Engineering, Developing 3D Drawings
- 3) Providing Turnkey Solutions for Precision Machinery/Equipment, Robotics Application, Material Handling Equipment & Automation
- 4) Training & After Sales Service Support



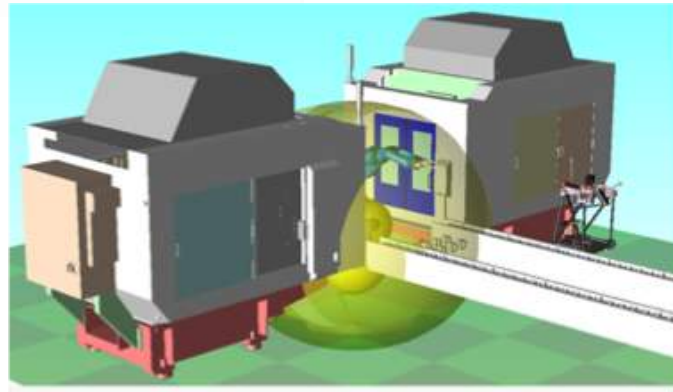
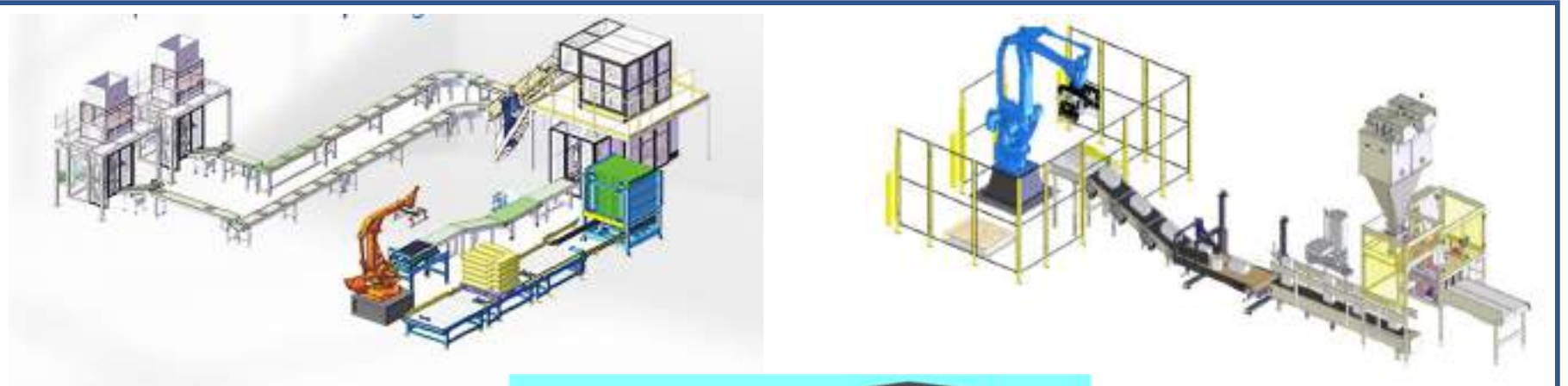
## “NIKKA --- Experience and Contribution

OUR ACTIVITIES : We are an engineering company involved in Providing Complete solutions with single responsibility.

- \*\*\* Manufacturing Precision & Special Purpose Machineries
- \*\*\* Manufacturing Material Handling Equipment.
- \*\*\* Manufacturing Robotics Applications like:- Welding, Handling, Painting & more.
- \*\*\* Manufacturing Grippers & Fixtures for robotic solutions
- \*\*\* Trunkey Mechatronics & Automation Solutions
- \*\*\* Manufacturing All types of control Panels.
- \*\*\* Providing solutions in Field Instrumentation

OUR EXPERIENCE IN DEVELOPING & MANUFACTURING:

- \*\*\* Positioners, Turntable, converting CNC Lathe machines, 2,3-axis cross Slides & controls systems, Manufacturing Fixtures for automobile and ancillary handling systems. Developing customer requirement
- \*\*\* Manufacturing all type of Conveyors, Pick & Place & Loading and Unloading equipment end-of-packaging line, Logistic & Ware-House Management System
- \*\*\* Providing Robotics solutions for applications like Handling, Welding, Machine Trending, Pick and Place, Packaging and Palletizing, Grinding & Polishing, also as per customer Application/requirement.
- \*\*\* Robotics BIN PICK solution
- \*\*\* Providing Automation Solutions in process industries, dairy industries, pharma equipment, Machine Manufacturers.
- \*\*\* Providing Solutions for field instrumentation in industries like process industries, dairy industries, pharma equipment, Machine Manufacturers.



Online Strapping & Tapping



Online Check Weighing System



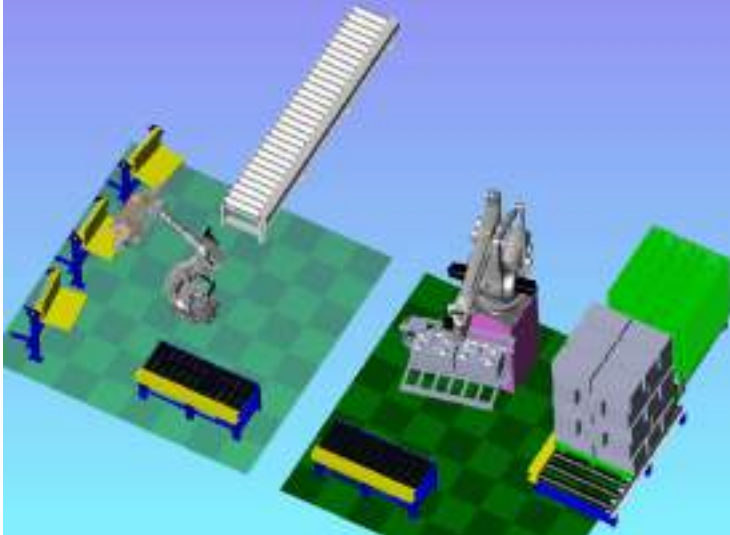
Smart Sensor / Vision Technology



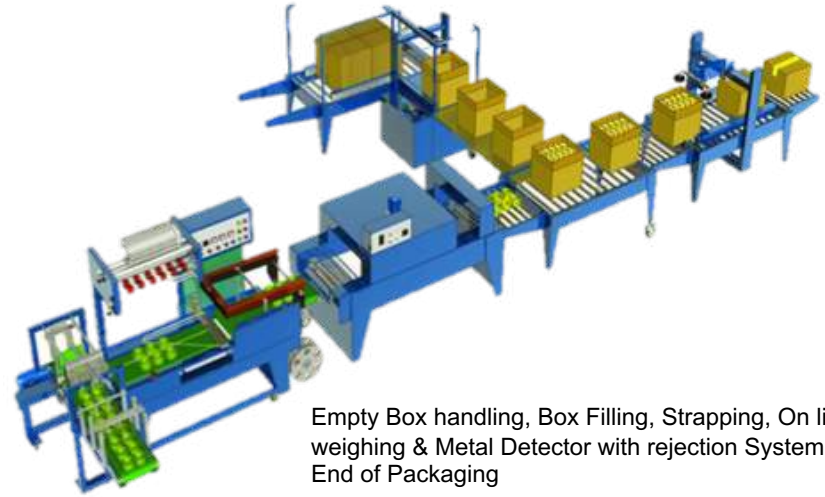
Bin Picking



Laser Marking



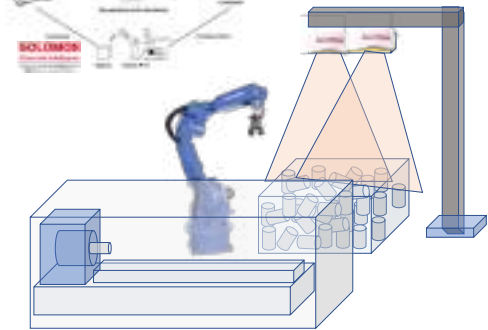
Design and Offline Simulation



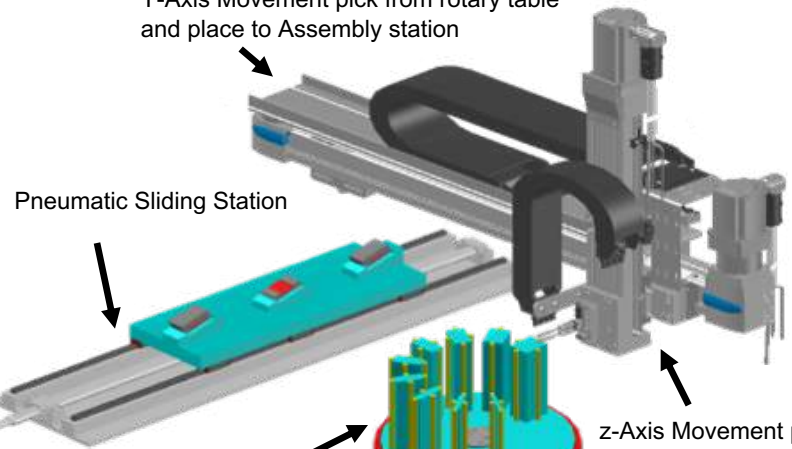
Empty Box handling, Box Filling, Strapping, On line weighing & Metal Detector with rejection System for End of Packaging

Future Project Under Process & Development

BIN PICK AND MACHINE TRENDRING



Y-Axis Movement pick from rotary table and place to Assembly station

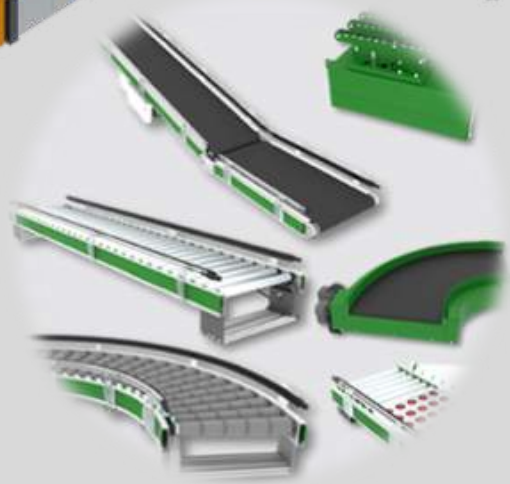


Pneumatic Sliding Station

Rotary Table with part Loading

z-Axis Movement pick from rotary table and place to Assembly station

### Material Handling, Distribution And Conveying



### Smart Conveyor



## Cartesian Robotic Solution



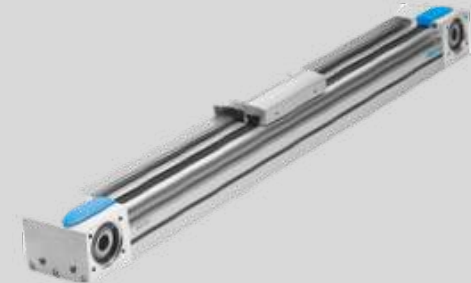
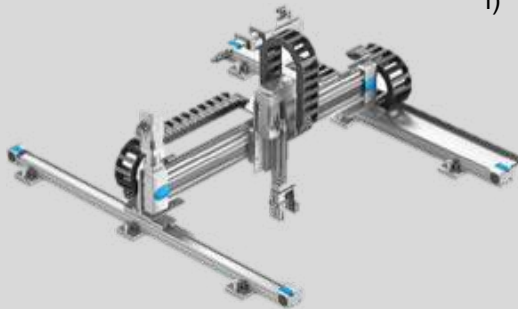
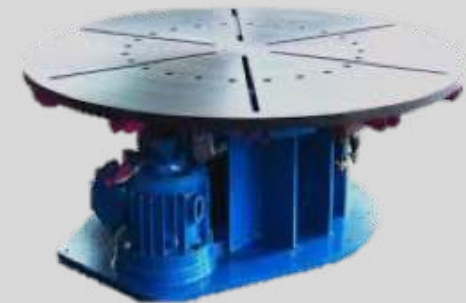
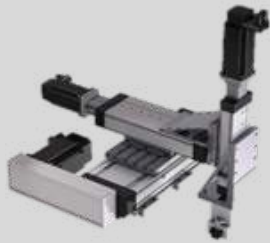
We Design and Develop Cartesian Type Precision Handling Arms with the help of Stepper and Servo Motor. We use Motion Control Drive and High Frequency PLC Control System.

### APPLICATION:-

- a) Pick & Place
- b) Loading and Unloading
- c) Shifting and Transferring
- d) Stacking
- e) Palletizing & Depalletizing
- f) Rotary Turntable & Positioners

### INDUSTRIES:

- a) Pharma Industries
- b) Food and Beverages Industries
- c) Dairy Industries
- d) Automobile Industries
- e) Extruder Industries
- f) Foundry Industries for Sand Molds
- g) Assembly Work
- h) Glass Sheets and Bottles Industries
- i) Aluminum Tin Palletizing and Depalletizing





AccuPick 3D  
Random Bin Pick



Solmotion Vision Guide Robot



Solscan Scanner



AccuPick 2D  
Smart Mfg./Smart Logistics



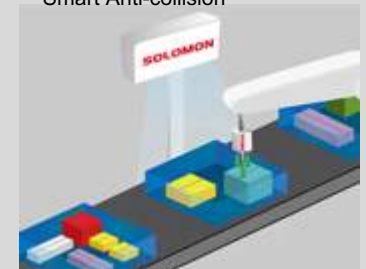
Solvision Machine Vision



Smart Anti-collision



Just Pick  
For Next Generation  
Intralogistics



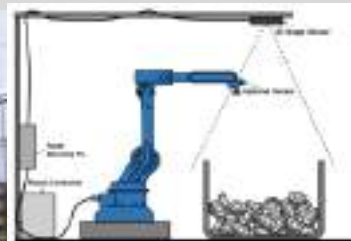
AccuPick- Smart Pack  
Intelligent Packaging  
Solution



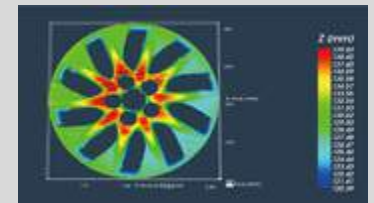
Packaging &  
Box Handling



Palletizing



3D-vision sensor  
Pick and Place





# Integration of All Types of Grippers



We design, configure & Integrate all type of Grippers along with fixture. We use

- 1) Pneumatic Type Grippers
- 2) Electric Type Grippers
- 3) Vacuum Type Grippers
- 4) Electric 2-axis Rotary Grippers
- 5) Hydraulic Grippers ( Heavy Load )
- 6) Pneumatic Magnetic Type Grippers
- 7) Electrically Magnetized Grippers



*Our Pneumatics Partners*

