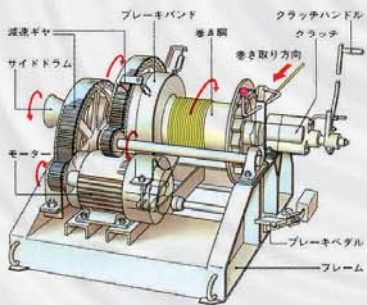


INTRODUCING A WORLD CLASS JAPANESE TECHNOLOGY
& MECHANISM IN HAND WINCH



Hand winch for Material Handling,
Lifting & Pulling Application Like
Crane, Hydra, Lift,
mobile Lift more.



CAPACITY 100 KG TO 1000 KG

- Both Directions Pulling Endless Winch
- Stainless Steel Rotating- Handle - Buffing SB Series - Electro polishing ESB Series - Metallic Painting ST Series
- Stainless Steel Ratchet - Handle - Buffing RSB Series - Electro polishing ERSB Series - Metallic Painting RST Series
- Hot-Dip Galvanizing GS Series
- Steel - Rotating-Handle GM Series Ratchet-Handle MR Series - Capstan-Drum MC Series
- Mini MAXPULL Winch ● Large Hand Winch for Industrial Use ● Special Hand Winch

APPLICATIONS

ChainBlock vs. Winch

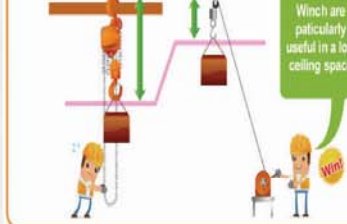


It's not necessary to work under a temporary load.

The factory is an old building, the ceiling is low. They want to use the lifting height effectively.

Customers worry No.3

The factory is an old building, the ceiling is low. They want to use the lifting height effectively.



Winch are particularly useful in a low ceiling space.



It's not necessary to work under a temporary load.

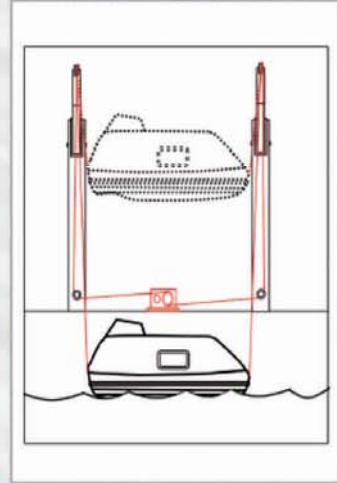
The factory is an old building, the ceiling is low. They want to use the lifting height effectively.

Customers worry No.2

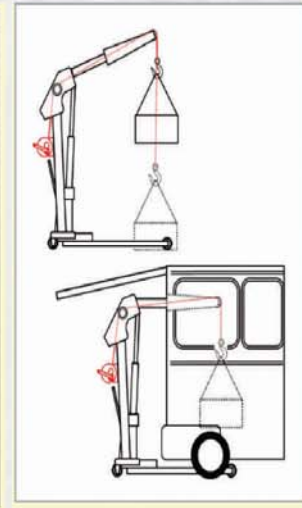
The factory is an old building, the ceiling is low. They want to use the lifting height effectively.



Winch are particularly useful in a low ceiling space.



Endless wire rope winch



AUTHORISED DISTRIBUTER OF INDIA

Nikka INCORPORATED
Nikka INSTRUMENTATION PVT. LTD.

M. 9825323604 | 9909962872 | 7359622299
dhaval@mikkainc.com | pi@mikkainc.com | anil@mikkainc.com
Works : Plot No. 284/5, G.I.D.C. Inds. Estate,
Makarapura, Vadodara-390010, Gujarat, India.
www.nikkainc.com