

An Integrated solution provider of

Robotics Solution
Automation
Field Instrumentation
Mechatronics Solution

AUTOMOBILE
INDUSTRIES

AUTOMATION
SOLUTION

ROBOTICS
SOLUTION

MFG.
PRECISION
MACHINES

Food &
Beverages
Industries

Robotic
Painting
&
Welding

PHARMA &
DAIRY
INDUSTRIES

SPECIAL
PURPOSE
MACHINE

MHE
Industries



Nikka Robotics Solution & Technology

E-mail : dhaval@nikkainc.com

Mobile : 9825323604



NIKKA INCOPRORATED
Authorized Representative

- ** SIEMENS --- FIELD INSTRUMENTATION
- ** TURNKEY PROJECTS

NIKKA INSTRUMENTATION PVT. LTD.
SYSTEM HOUSE & Authorized Representative

- ** SIEMENS --- AUTOMATION, SERVO & DRIVES, CNC
- ** NIKKA --- MANUFACTURING ALL TYPES OF PANELS
- ** BANNER --- SENSORS
- ** HBC --- RADIO REMOTE CONTROL
- ** LAPP --- CABLES(Vadodara)

NIKKA ROBOTICS SOLUTION AND TECHNOLOGY
System Integrator

- ** YASKAWA --- ROBOTICS SOLUTION (Channel Partner)
- ** NIKKA --- MANUFACTURING PRECISION MACHINE
- ** MAXPULL - HAND WINCH (INDIA DISTRIBUTOR)



“Nikka” work as System Integrator & Engineering Company

Our Scope of Work :

- 1) Concept Development through sketch / engineering drawing
- 2) Design & Engineering, Developing 3D Drawings
- 3) Manufacturing Turnkey Solutions for Precision Machinery/Equipment, Robotics Application & Automation
- 4) Training & After Sales Service Support



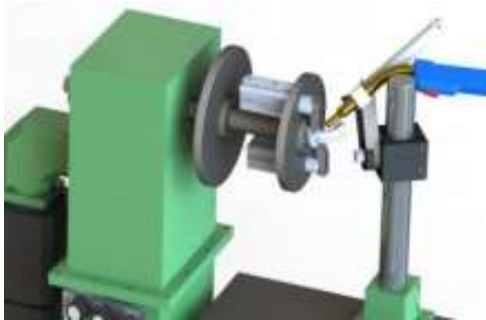
OUR ACTIVITIES : We are an engineering company involved in Providing **Complete** solutions with single responsibility.

- *** Manufacturing Precision & Special Purpose Machineries
- *** Manufacturing Material Handling Equipment.
- *** Manufacturing Robotics Applications like:- Welding, Handling, Painting & more.
- *** Manufacturing Grippers & Fixtures for robotic solutions
- *** Trunkey Mechatronics & Automation Solutions
- *** Manufacturing All types of control Panels.
- *** Providing solutions in Field Instrumentation

OUR EXPERIENCE IN DEVELOPING & MANUFACTURING:

- *** Positioners, Turntable, converting CNC Lathe machines, 2,3-axis cross Slides & controls systems, Manufacturing Fixtures for automobile and ancillary handling systems. Developing customer requirement
- *** Manufacturing Conveyors, Ware-House System for Pick & Place & Loading and Unloading systems
- *** Providing Robotics solutions in applications like Handling, Welding, Machine Trending, Pick and Place, Packaging and Palletizing, Grinding & Polishing, also as per customer Application/requirement.
- *** Providing Automation Solutions in process industries, dairy industries, pharma equipment, Machine Manufacturers.
- *** Providing Solutions for field instrumentation in industries like process industries, dairy industries, pharma equipment, Machine Manufacturers.

Manufacturing Precision Machine



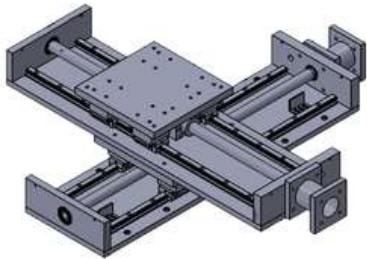
Manufacturing Welding SPM's



Robotics Welding Solution



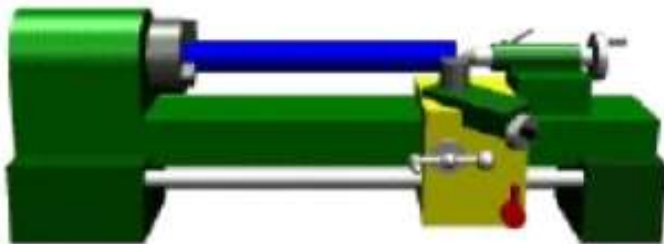
Manufacturing Welding Positioners & Turntable



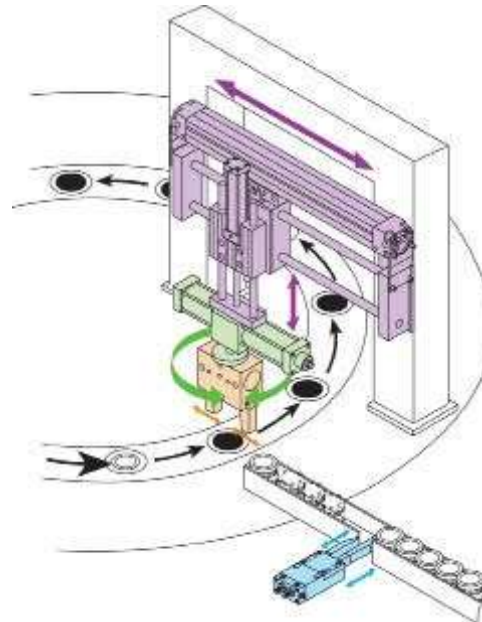
Manufacturing Linear Cross Slides



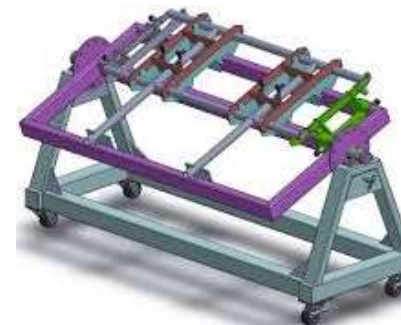
Multi-Directional Linear Motion Systems



Manufacturing Precision CNC Machine ,
Retrofitting CNC



Pneumatic Pick & Place

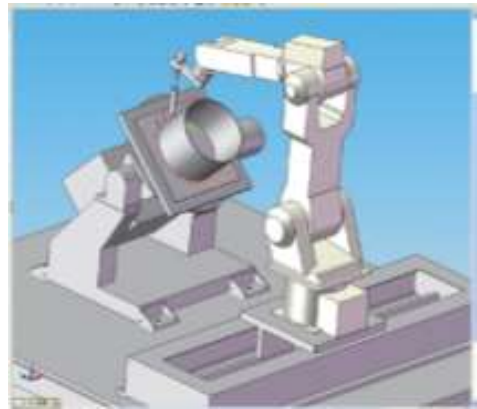


Welding Fixtures

Turnkey Projects for Robotic Applications



Machine Trending

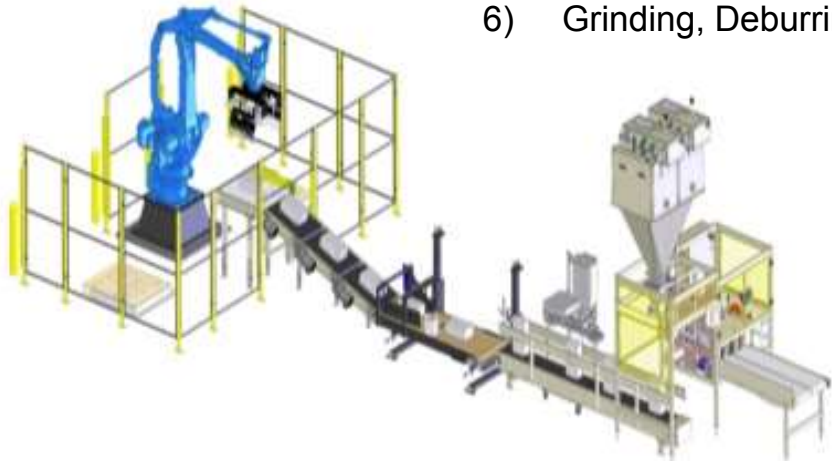


Welding with Positioner



Scara Robot

- 1) Pick and Place for Box, Bagging & Palletizing
- 2) Packaging & Palletizing line
- 3) Machine Trending
- 4) Dispensing, Painting, Spraying & Coating
- 5) Welding – MIG, TIG, LASER, ULTRA SONIC
- 6) Grinding, Deburring & Polishing

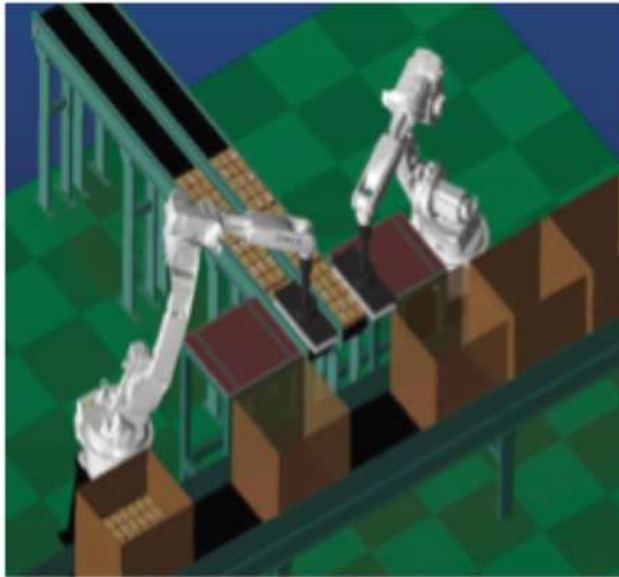


Turnkey Project with Bag placer, Robot BAG / BOX Palletizing

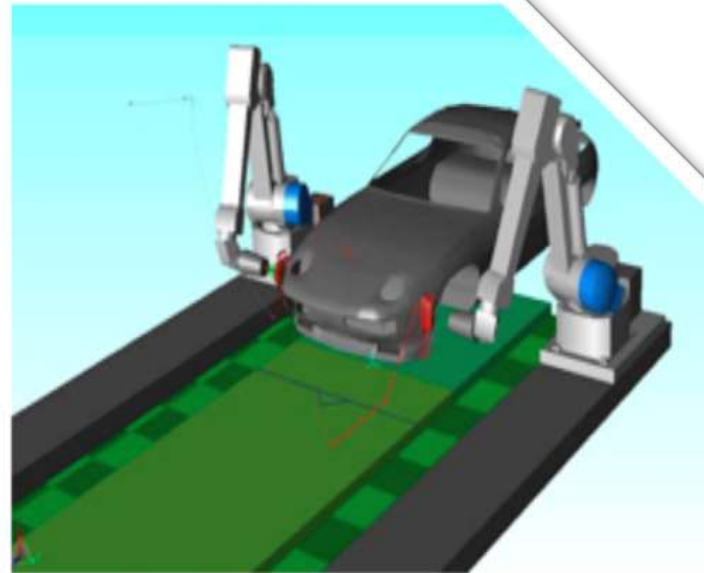


Robot with Kinetic Teaching

Turnkey Projects for Robotic Applications

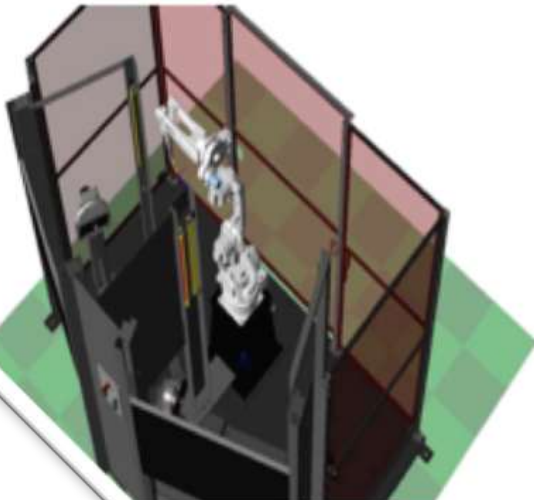


Packaging End of line

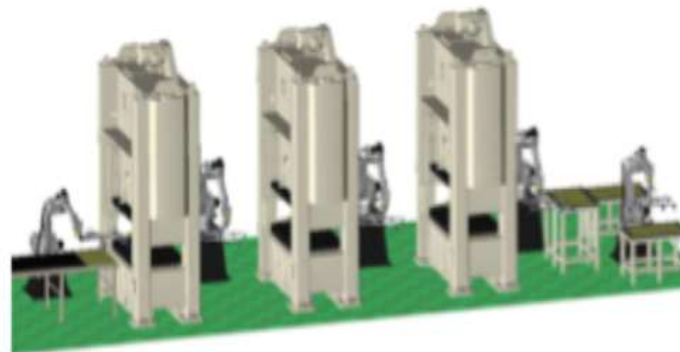


Painting

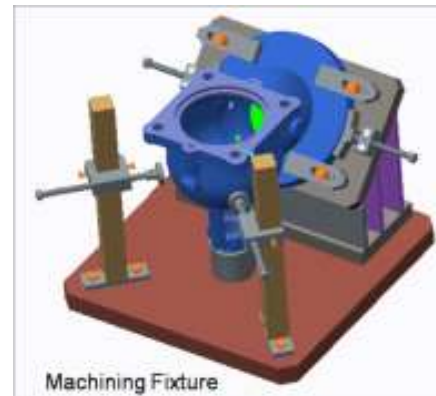
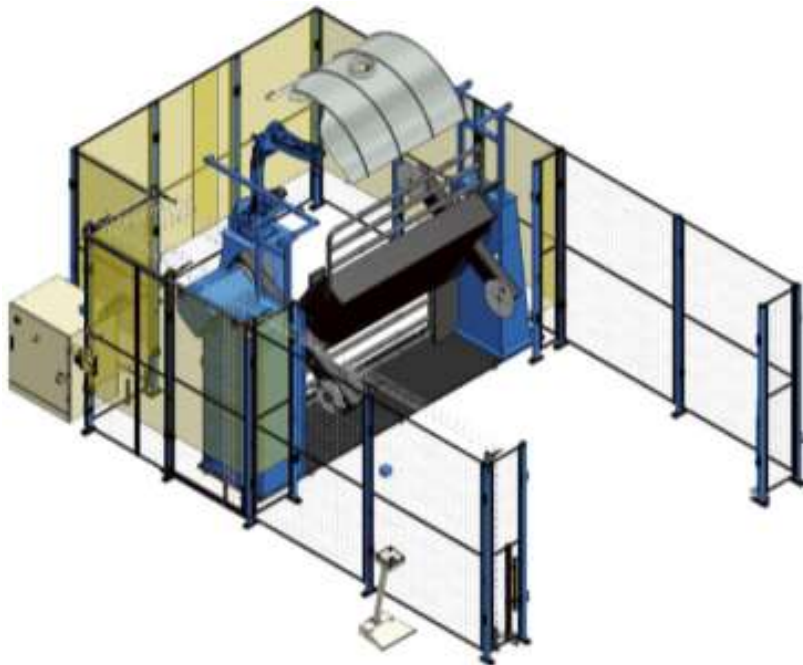
Welding Cells



Press Handling



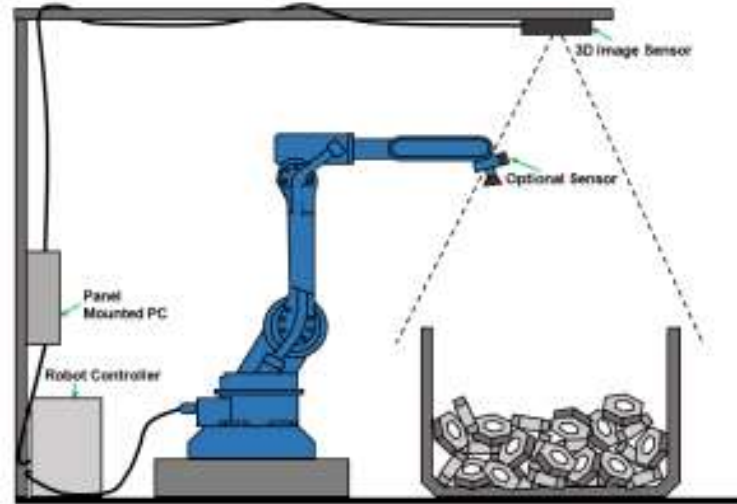
Manufacturing Customized Welding Cell



Providing Solution for End of Packaging Line



Packaging & Box Handling



3D-vision sensor Pick and Place



Palletizing

LIFT TECH ENGINEERS – CHENNAI
NIKKA – AUTHORIZED DEALER FOR GUJARAT
(MFG. MATERIAL HANDLING EQUIPMENT)



BOPT -1.5T, 2.5T, 3T Capacity
Battery Operated Pallet Truck



SCISSOR LIFT



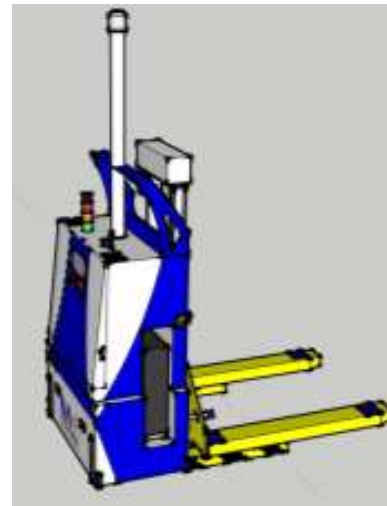
STACKER -1.5T Capacity
Battery Operated



COUNTER BALANCE STACKER
WITH 360 Degree ROTARY
1.5T Capacity Battery Operated



COUNTER BALANCE STACKER
1.5T Capacity Battery Operated



AGV -1.5T, 2.5T, 3T Capacity
Battery Operated Pallet Truck
Customized Solution



STACKER -1.5T Capacity
Manual Operated

LIFT TECH ENGINEERS – CHENNAI
NIKKA – AUTHORIZED DEALER FOR GUJARAT
(MFG. MATERIAL HANDLING EQUIPMENT)



Die Loader



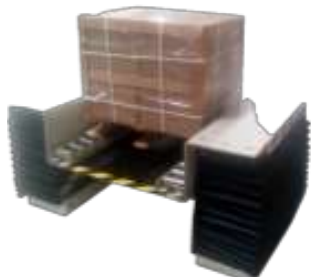
Tow Trucks



Movable Scissor Lift



Tow Trucks



Zero Scissor Lift



Drum Lifter

Manufacturing Lifting Unit Using Hand Winch

**CE-APPROVED HAND WINCH - JAPAN (OEM)
USE FOR PHARMA, FOOD & BEVERAGES,
CHEMICAL INDUSTRIES, STEEL INDUSTRIES
IN DEFENCE, ARMY,MANY MORE**



STAINLESS STEEL



STEEL



Stracker



Telescopic Lifter



Mobile Lifter



CAPSTAN TYPE



ENDLESS WIRE ROPE
HAND WINCH